

# *ExoFlame*

WATER-JACKETED WOOD CASSETTE

- **Mount where you wish**
- **Water circulation to accumulator tank**
- **Cosy heat at the fireside and in the whole house**

ExoFlame is a water-jacketed local furnace to place in a suitable position in the house, where it can be connected to a chimney and an accumulator tank, e.g. ExoTank VPS



## FIRESIDE COMFORT WITH HEAT FOR THE WHOLE HOUSE!

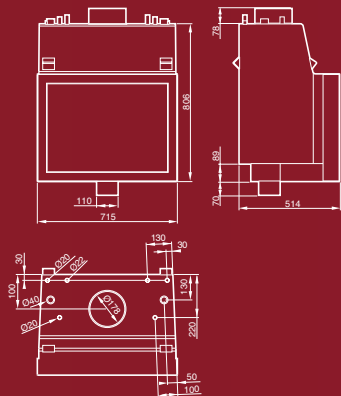
ExoFlame is a water-jacketed local furnace that you can place in any suitable position in your house and be connect to the chimney and an accumulator tank, e.g. ExoTank VPS.

ExoFlame can be installed into an open fireplace or fitted in with chalk board, soap stone or sheet metal to harmonize with the interior.

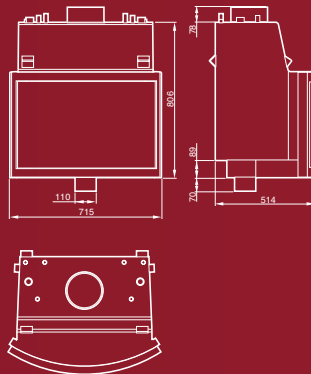
ExoFlame gives pleasant fireside comfort and cosy heat in the room. At the same time the heat is spread through the whole house because of the connection to an accumulator tank. ExoFlame is thus an economic and favourable supplement to solar energy collectors, heating pumps, wood and pellet boilers etc.



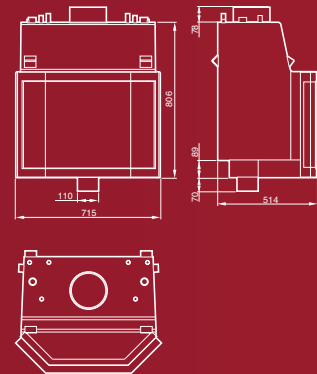
*Plano*



*Panorama*



*Prisma*



### COMPLETE BOILER KIT

Welded boiler body of selected pressure vessel steel. Large door with solid hinges and latch. Ceramic glass with high heat resistance. The cooling coil is mounted and welded into the boiler body in accordance with current regulations.

The customer is responsible for mounting, insulation and securing of the cassette in a suitable position.

Standard chimney connection is upwards. Always contact the local chimney sweep for advise about the installation.

### ONE CASSETTE - THREE MODELS

The pressure vessel design is almost the same but because of the different door profiles you can choose the ExoFlame that is perfect for your home. The models Plano, Panorama and Prisma are designed to give an excellent view of the fire from any angle.

Dealer

 **EURONOM**®

P.O. Box 700 SE-391 27 Kalmar SWEDEN  
Tel. +46(0)480-221 20 Fax. +46(0)480-870 17  
www.euronom.se info@euronom.se